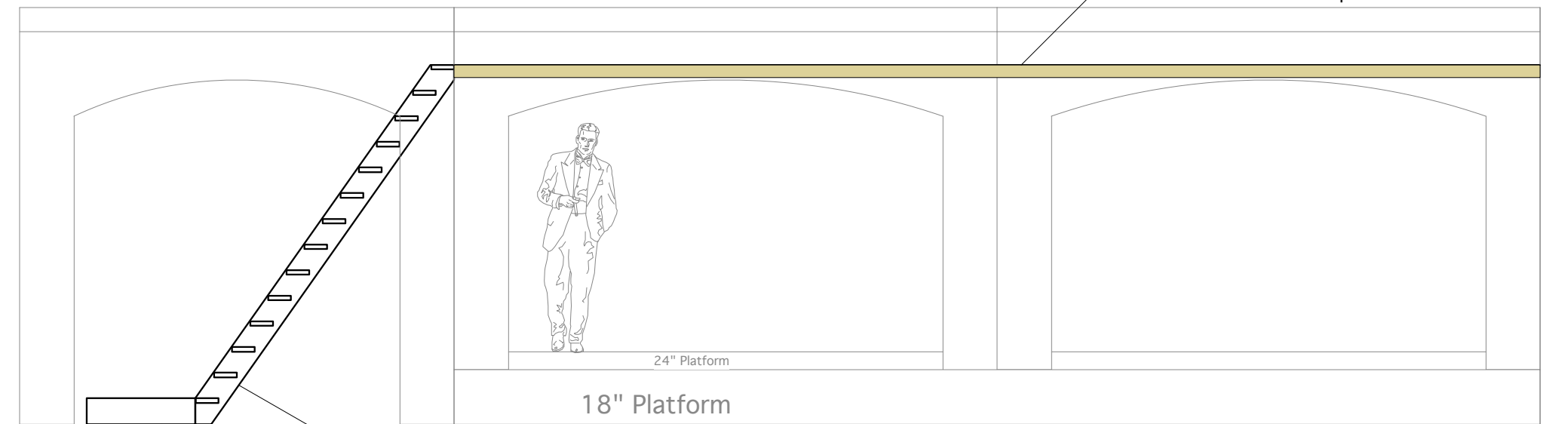
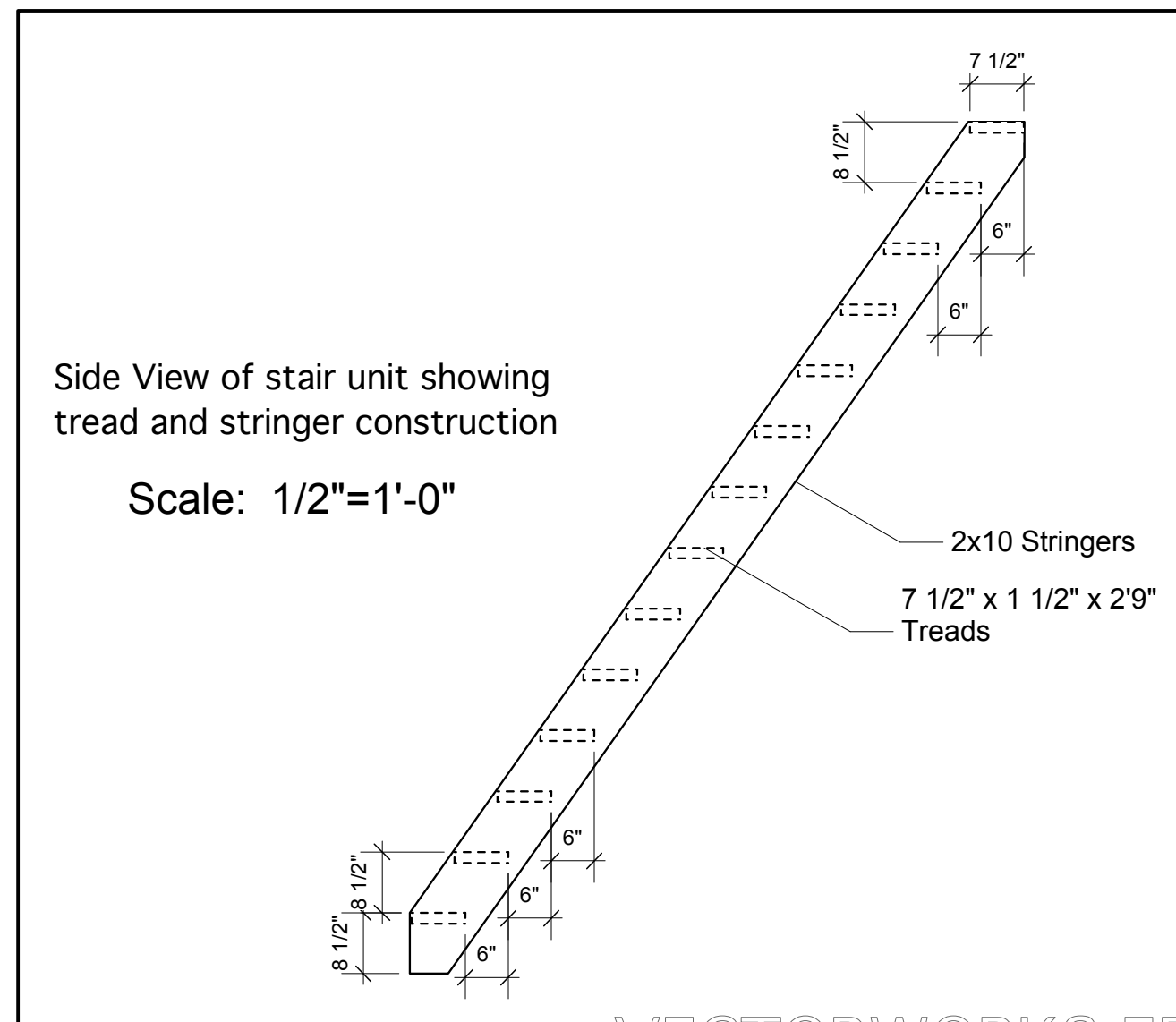


Top View



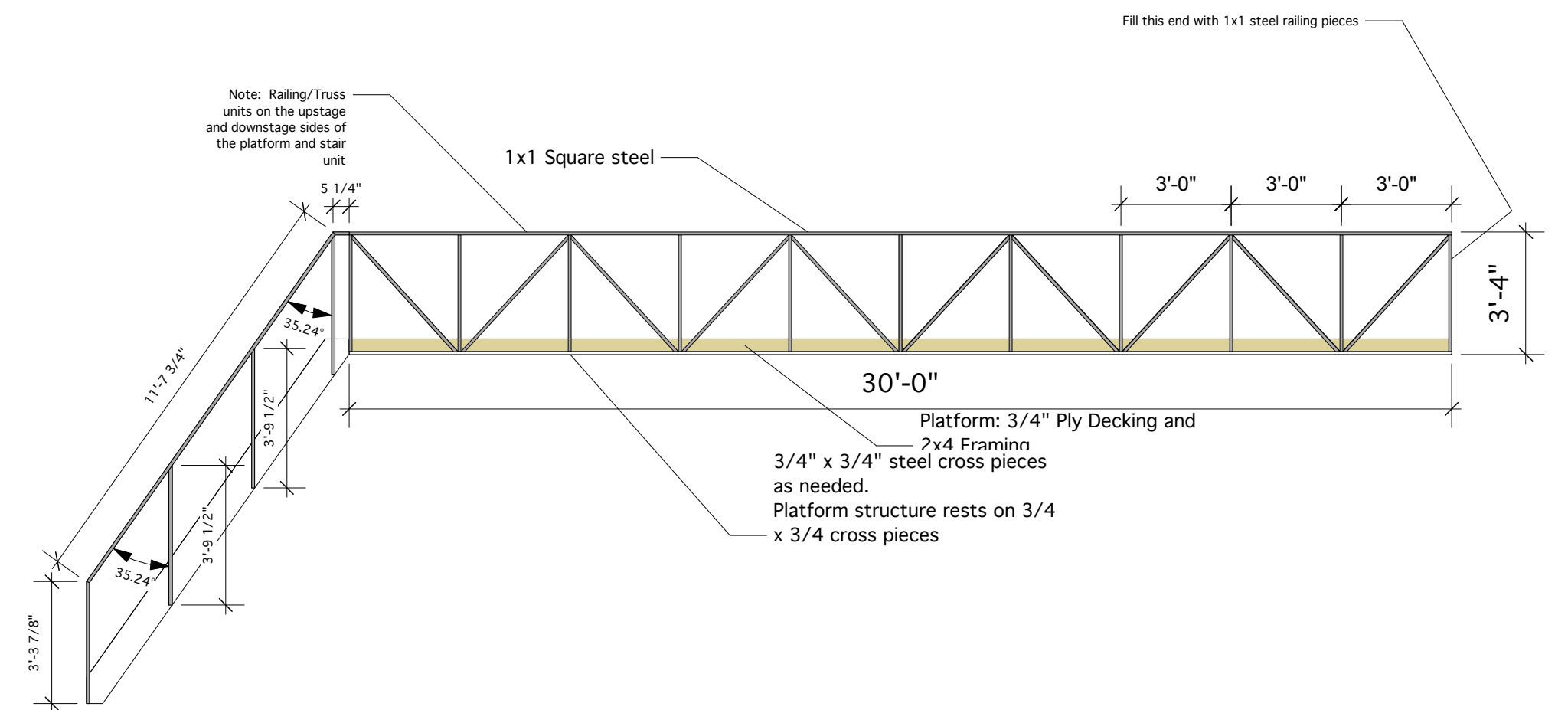
Upper level Platform: Front View

See stair detail below, left
3'0" x 3'0" x 8.5" high landing platform. Face visible sides



Side View of stair unit showing tread and stringer construction

Scale: 1/2"=1'-0"



Front View of Railing/ Truss for Upper Platform/Walkway

CL

The American Clock	
St. Olaf Kelsey Theatre	
Platform and Stair details	
Date: 9/05/03	Scale: 1/4"=1'-0"
B. Bjorklund	Revision: 0
2 of	